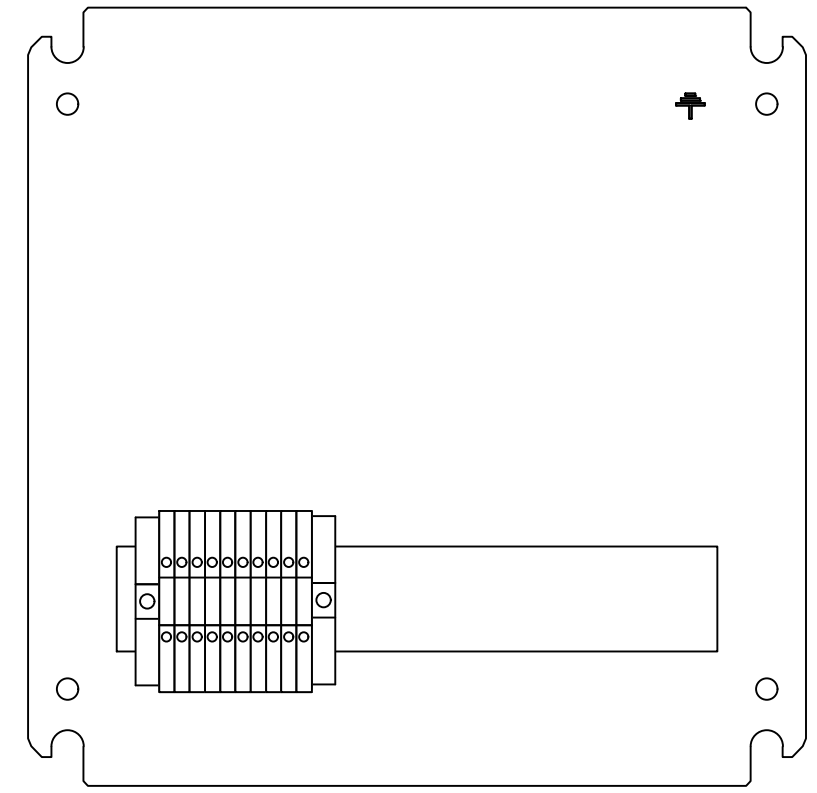
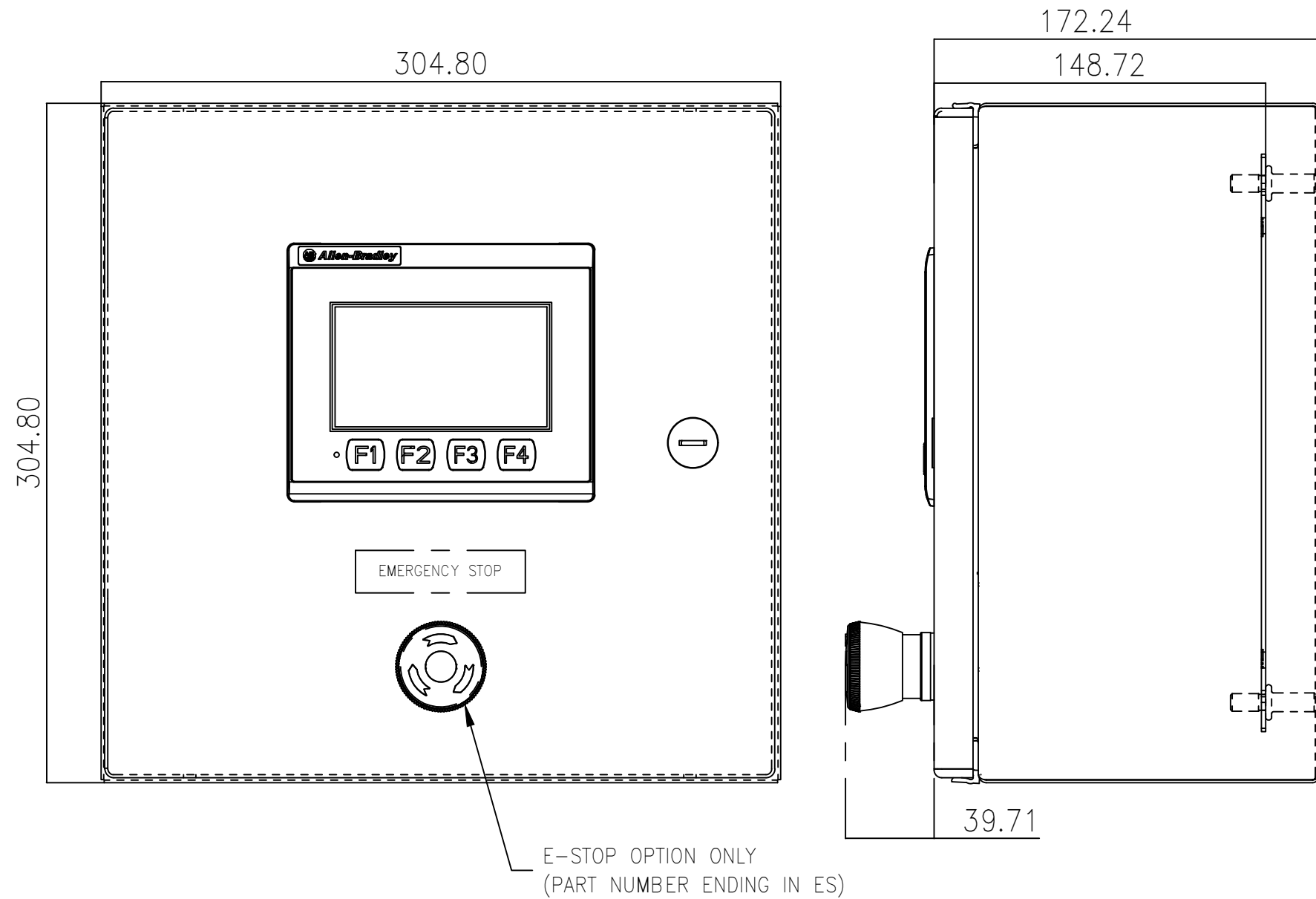


C:\Users\valentin\OneDrive - Allied Circuits\Documents\Projects\ALLIED_CIRCUITS\01_WEB_FORM_DRAWINGS\07 Drawings\Allied_Circuits\DWG Files\HMI-AB000040N\HMI.dwg SAVE DATE: 28.06.2023



HMI-AB000040N_WM_

- CHOOSE 'SS' OPTION FOR STAINLESS STEEL
- NEMA OPTIONS: 1, 3, 3R, 3RX, 4X, 12, 13
- SEE PART NUMBER GUIDE FOR DETAILS
- COMES WITH SINGLE DIN RAIL, 10 SINGLE-TIER TERMINALS, AND 2 END ANCHORS.
- APPEND 'ES' OPTION FOR EMERGENCY STOP PUSHBUTTON (SHOWN)

IDENTIFICATION OF CONDUCTORS		
PROTECTIVE CONDUCTORS	COLOR	MIN AWG SIZE
PROTECTIVE CONDUCTORS	GRN/YEL	14 AWG
3 PHASE AC POWER CIRCUITS	BLACK	AS NOTED
SINGLE PHASE AC CIRCUITS	RED	14 AWG
AC NEUTRAL CONDUCTORS	WHITE	14 AWG
EXTERNAL SOURCE (AC or DC)	ORANGE	AS NOTED
DC CONTROL CIRCUITS	BLUE	AS NOTED
DC COMMON CONDUCTORS	WHITE/BLUE	AS NOTED

PROPRIETARY NOTICE THE INFORMATION IN THIS DOCUMENT IS PROPRIETARY AND CONFIDENTIAL TO ALLIED CIRCUITS, LLC, AND SHALL NOT BE USED OR REPRODUCED FOR ANY REASON WITHOUT PRIOR WRITTEN CONSENT.		0 06/26/23 INITIAL DATE	DPS BY CHKD
DESCRIPTION OF REVISION		DATE	BY

 <small>22 JAMES E. CASEY DR. BUFFALO, NY, 14206</small>		HMI-AB000040N_WM_ WALL-MOUNT PV800 4"	
DRAWN DPS	CHECKED	JOB NO.	DRAWING NO. HMI-AB000040N_WM_
CUSTOMER	SCALE	SHEET 1 TO 1	REV 0